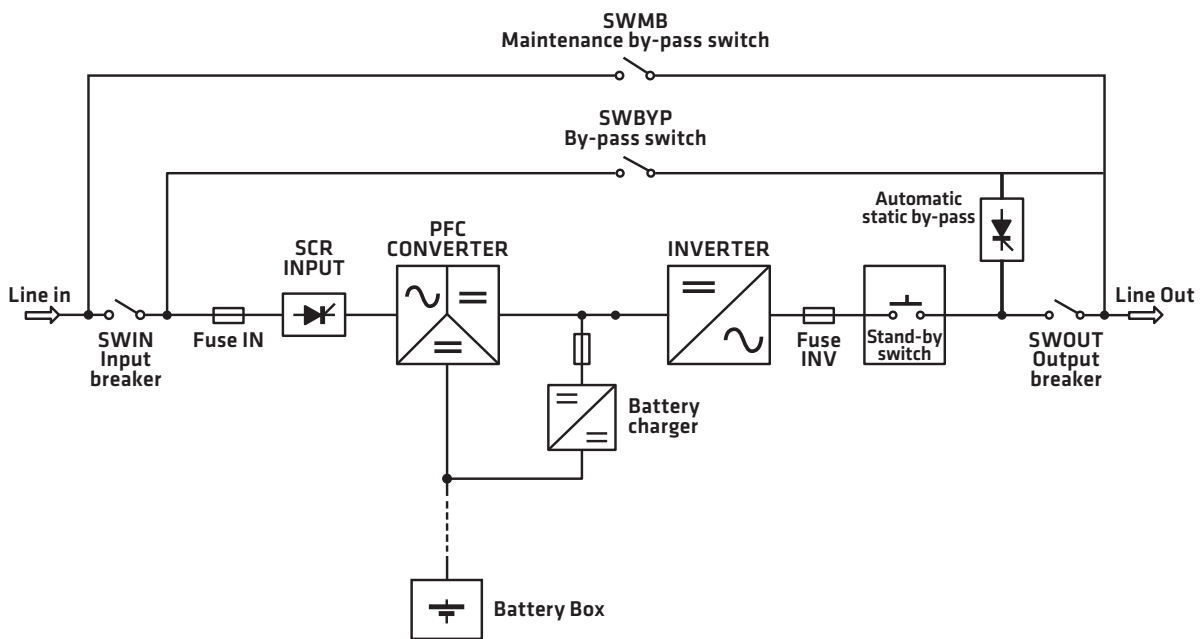




***Safepower-Evo-HF***

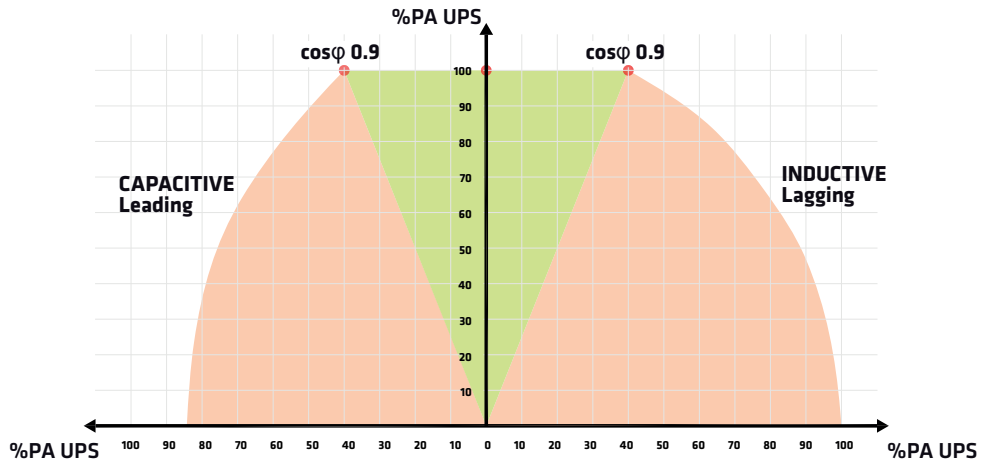
# The product

Safepower-Evo-HF is the new UPS series by SIEL. It comes in models from 10 to 120 kVA, with On Line double conversion technology in accordance with VFI-SS-111 classification, as defined by IEC EN 62040-3 norms. Safepower-Evo-HF means you can work in ECO-MODE. In this operational mode the charge is supplied by the mains power supply, the UPS batteries are kept charged, if at any time there is a deviation from the mains power supply's established parameters, the UPS automatically intervenes to supply the charge by battery.

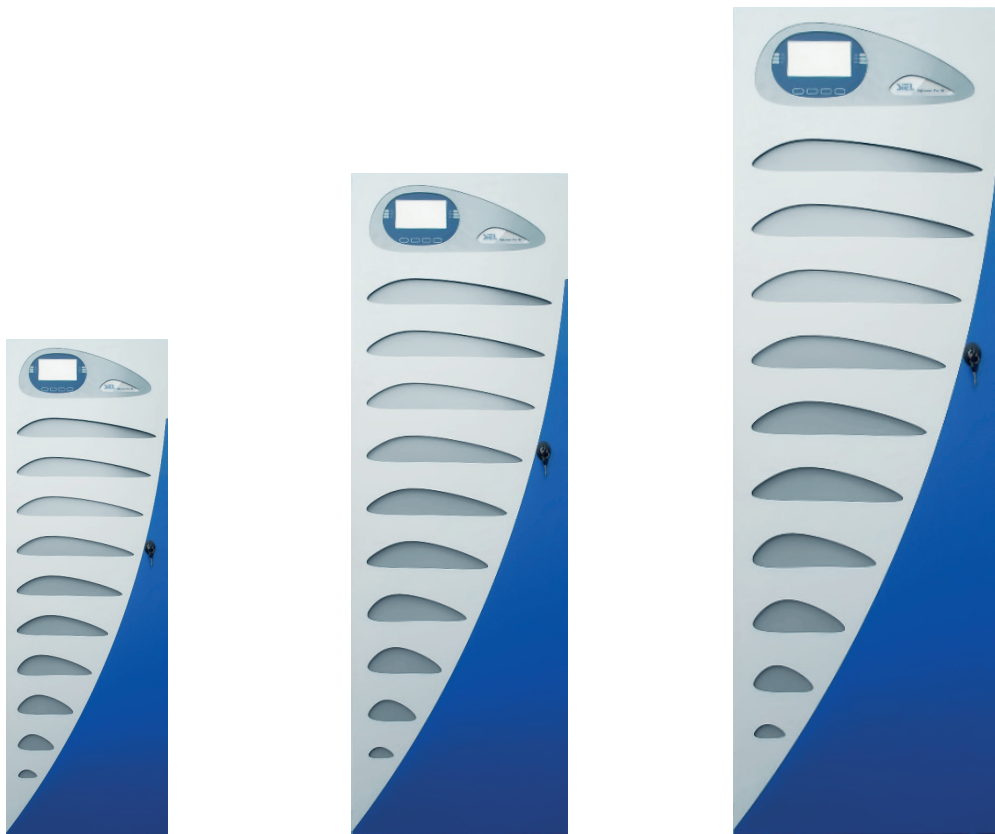


With the SMART ACTIVE mode, the UPS takes control of the ON LINE and ECO modes by analyzing the data received regarding the quality of the power supply. The high yield (up to 96.5% for sizes up to 40kVA and over 95% for sizes between 60 and 120kVA) along with characterization at  $\text{Cos}\phi$  0,9 allows for a more flexible sizing of the UPS that ensures high active power levels for the selected appliances. Equipped with three level PWM, Safepower -Evo-HF presents sinusoidal absorption, which maintains low harmonic content of the current regenerated to the system and thus contains sizing of an eventual backup supply.

The option of connecting up to 6 paralalled UPS', combined with a wide choice of links for the multiplatform communication system and the integration of additional UPS' on a single bus, makes monitoring of the system extremely simple and effective.



The machine can run on active power equivalent to nominal power for all values of  $\text{Cos}\phi$ , from 0.9 capacitive to 0.9 inductive.



from 10 to 40 kVA

from 60 to 100 kVA

120 kVA

# Technical Specifications

## Safepower-Evo-HF

10/15/20/30/40/60/80/100/120 kVA three phase input / three phase output

MECHANICAL CHARACTERISTICS	UPS Power (kVA)								
	10	15	20	30	40	60	80	100	120
Dimensions (mm)									
Width	440				550				750
Depth	850				850				855
Height	1320				1600				1900
Max. weight with internal batteries (Kg)	180Kg 305Kg	190Kg 315Kg	195Kg 320Kg	335Kg	345Kg	190	200	370	380
Degree of protection of housing	IP20								

ELECTRICAL DATA	UPS Power (kVA)									
	10	15	20	30	40	60	80	100	120	
INPUT										
Harmonic Distortion (THDi) and Power Factor at full charge	THDi $\leq$ 3 % , 0,99 Pf					THDi 2,5 % , 0,99 Pf		THDi 3 % , 0,99 Pf		

ELECTRICAL DATA	UPS Power (kVA)								
	10	15	20	30	40	60	80	100	120
INTERMEDIATE CIRCUIT IN D.C.									
Number of elements in Pb	120+120								

ELECTRICAL DATA	UPS Power (kVA)								
	10	15	20	30	40	60	80	100	120
INVERTER									
Nominal power (kVA)	10	15	20	30	40	60	80	100	120
Active power PF 0,9 (kW)	9	13,5	18	27	36	54	72	90	108
Active power PF charge from 0.9 inductive to 0.9 capacitive (kW)	9	13,5	18	27	36	54	72	90	108
Nominal voltage	380/400/415 Vac three phase with neutral								
Nominal frequency	50 / 60Hz								
Static variation	± 1%					± 0,5%			
Restore within ± 1%	20ms In conformity with EN 62040-3, class 1								
Current distortion with linear and distorting charge (EN 62040-3)	≤ 1% with linear charge ≤ 3% with distorting charge							≤ 2% with linear charge ≤ 4% with distorting charge	

ELECTRICAL DATA	UPS Power (kVA)								
	10	15	20	30	40	60	80	100	120
SYSTEM									
Ouput AC/AC (On line) - (%)									
Full charge	93,5	94,0	94,0	96,1	96,0	95,4	95,2	93,6	93,5
75% Charge	93,0	93,8	94,0	96,2	96,2	95,5	95,6	94,0	94,0
50% Charge	91,8	93,0	93,8	96,1	96,2	95,5	95,6	93,7	93,8
25% Charge	89,3	91,6	91,6	95,0	95,7	94,6	94,9	92,3	92,5
Operating temperature	0 ± 40 °C								

**SIEL S.p.A.**

via 1° Maggio, 25  
20060 Trezzano Rosa - Milan  
Italy  
tel. +39 02 90986.1  
fax +39 02 90 96 84 90  
[www.sielups.com](http://www.sielups.com)  
[info@sielups.com](mailto:info@sielups.com)

**ROME OFFICE**

via Castelfranco Veneto, 18  
00191 Rome - Italy  
tel./fax +39 06 36381027

**SIEL ENERGY SYSTEMS LTD**

SIEL House  
Unit E  
Draycott Business Park  
Cam  
Glos.  
GL11 5DQ  
tel. +44 845 130 6118  
fax +44 1453 899215  
[enquiries@sielups.co.uk](mailto:enquiries@sielups.co.uk)

**NITESCO LLC**

Marksistskaya ul. 34/7  
109147 Moscow - Russia  
tel. +7 495 7925775  
fax +7 495 7925766  
[www.nitesco.ru](http://www.nitesco.ru)  
[nitesco@nitesco.ru](mailto:nitesco@nitesco.ru)

**SIEL**  
ENERGY & SAFETY